



**WE BUILD LEGENDS.**

**TL-3 LIGHTNING LOADER®**



**PETERSENIND.COM | 800.930.LOAD (5623)**

## LIGHTNING LOADER® AN AMERICAN LEGEND

The Lightning Loader® is the most envied, most desired, and most imitated grapple truck in the industry. We manufacture 95% of each unit in-house to guarantee quality. Each Lightning Loader® is built to provide maximum strength, durability, and reliability, so you can get the job done fast and free of headaches.

### BUILT BY THE BEST



At Petersen Industries, we're serious about being "Made in America." We've lived and breathed knucklebooms for over 60 years, in Lake Wales, Florida. When it was time to build a new facility, we moved down the street – not overseas.

From buckets to cylinders, we manufacture and install 95% of all components in-house. We're proud of our product and the people who build it. Your Petersen Industries Lightning Loader® is built by highly trained American workers, with quality American parts.

# PI TL-3 LIGHTNING LOADER®

American born. American made. Efficient, dependable one-man operations for secure solid waste removal. Revolutionizing grapple trucks since 1957 and home to the original, industry-defining Lightning Loader®.



#### BOOM-UP ALARM

Notifies the operator when the boom is over legal travel height with an audible buzzer and red light. The boom-up alarm has been a standard safety feature on our equipment for over a decade.

#### MINIMAL HOSE EXPOSURE

Slack hoses can snag on debris and obstructions. That's why we designed our "enclosed hose recoil system" and a bucket with no hoses below the rotator.

#### SINGLE CYLINDER BUCKET

A large cylinder and manifold block keep hoses out of work areas, allows for a stronger bite force, and ensures that both sides always work together.

#### SCISSOR HOIST

The most stable hoist available for this application. Lifts 23 tons and is power up and down.

#### GREASELESS PROPORTIONAL CONTROLS

Whether you choose our standard lever controls or our patented QUADSTICK® (shown on back); know that they are the most durable & easiest to operate.

#### H-STYLE OUTRIGGERS

Horizontal and vertical outriggers act independently of each other. Allows the operator to custom place around obstructions and traffic patterns.

#### WHEELBASE

We specifically design our units to have the best turning radius and keep a comfortable operator platform.

## HEAD & PEDESTAL ASSEMBLY

Our Head design is unique for the industry. We started with the kingpost and rotator design 50 years ago and have stuck with it because of: *reliability, ease of maintenance, and simplicity.*



#### HEAD

This heavy duty piece of American ingenuity is stress relieved prior to installation.



#### LOCK-COLLAR

Simply and effectively prevents vertical movement of the king post.



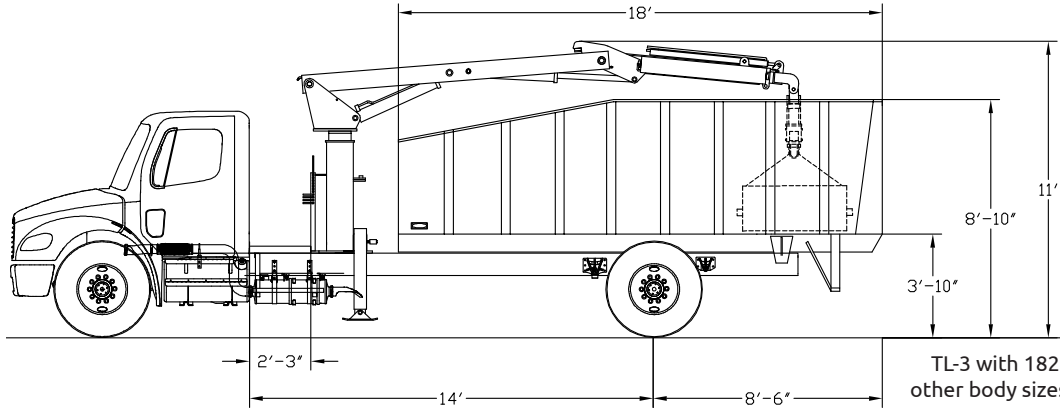
#### TORQUE ARM

The torque arm allows the gearbox to float laterally, which helps to reduce stresses to the pedestal caused from dynamic forces from boom rotation. Without a torque arm the pedestal would be subjected to higher levels of stress caused by the rotational forces from sudden starts or stops from boom rotation.

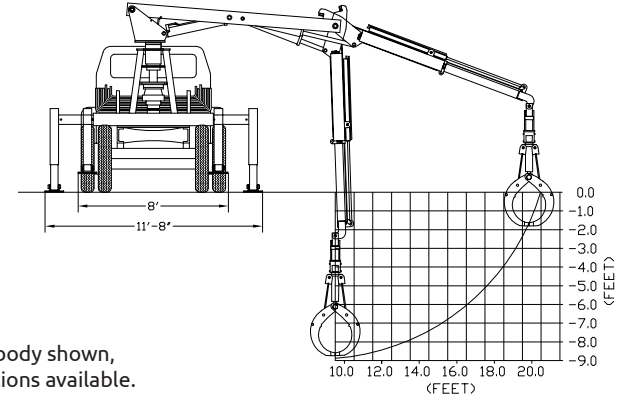


#### EASY MAINTENANCE

We use Nylatron bushings in the bearing housing and a sealed planetary gearbox to reduce maintenance time.



TL-3 with 1824 TBS body shown, other body sizes & options available.



### SYSTEM DESCRIPTION:

The model TL-3 Lightning Loader® is a grapple loader mounted to a chassis from behind the cab, equipped with Petersen's standard trash bucket at the end of the boom. The loader operates from a fixed platform located behind the chassis cab. CNG Capable.

### LIFT CAPACITY

Radius	Load Capacity
10 ft. radius	7,100 lbs.
16 ft. radius	4,400 lbs.
20 ft. radius	3,200 lbs.

**Note:** Weight of attachment not subtracted from above listed lifting capacities. Trash bucket weighs 1,000 lbs. Capacities shown do not exceed 85% vehicle tipping moment (outriggers engaged, loader on firm, level ground.)

### GENERAL SPECIFICATIONS

Reach	20 ft. 7 inches
⊗ Main Boom & Tip Boom	16 ft. 7 inches
⊗ Tip Extension	4 ft.
Tare Weight (empty)	23,000 lbs.
Outrigger Span	11 ft. 8 in.
Dump Body Hoist Capacity	23 tons

### RECOMMENDED CHASSIS (MINIMUM)

Body Style	Conventional Cab
Cab-to-Axle Dimension	168", 186", 192"
Front Axle Rating	12,000 lbs. Minimum
Rear Axle Rating	21,000 lbs. Minimum
GVW Rating	33,000 lbs. Minimum
Frame	1,500,000 RBM
Frame Thickness	11/32" Minimum
Engine	230 HP Diesel
Transmission	Automatic
Electrical	Remote engine & transmission connectors

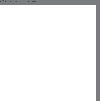
\*Always contact Petersen Industries for specific chassis requirements

### CONTROL OPTIONS:

Dual manual controls for outriggers and loader on both sides of the truck for accessibility and visibility come standard on this model. QUADSTICK® mechanically linked dual joystick controls (left) are also an available option on the TL-3 and stationary top mount controls (right).



SCAN TO  
LEARN MORE



4000 SR 60 West  
Lake Wales, FL 33859

1.800.930.LOAD (5623)



PETERSENIND.COM  
Contact Us Today To Learn More